



POWERLIFT 1000 · 拓力 1000

55 t capacity · 55 t 起重能力

Crawler Crane

履带起重机

Datasheet metric

参数表 (公制)

POWERLIFT 1000

拓力 1000

PRELIMINARY
初步



WORKS FOR YOU.™

Key · 关键词汇

..... 3

Highlights · 技术亮点

..... 4

Specifications · 技术参数

Specifications · 技术参数 5

Main boom configurations · 主臂的配置 7

Boom combinations · 臂杆组合 9

Main boom · 主臂

Working ranges · 工作范围 10

Lifting capacities · 起重能力 11

Fixed jib · 固定副臂

Working ranges · 工作范围 12

Lifting capacities · 起重能力 13

Technical description · 技术描述

..... 16

Transport example · 运输实例

..... 20



Counterweight · 配重



Track · 履带



Load radius · 载荷半径



Main boom · 主臂



Fixed jib · 固定副臂



Main boom angle · 主臂角度



Fixed jib angle · 固定副臂角度

"D"



H: Main boom · 主臂

F: Fixed jib · 固定副臂

- ▶ 55 t lifting capacity at 3.7 m radius
 - ▶ Excellent lifting capacities throughout the whole working range
 - ▶ Basic machine transport width is only 3 m,
greatly reduce customer transportation costs
 - ▶ Imported controller with color display and monitor
-
- ▶ 3.7 m 半径内的55 吨履带式起重机
 - ▶ 任何工作范围都具有优异的起重性能
 - ▶ 主机运输宽度仅为3 m，极大降低客户运输成本
 - ▶ 进口控制器配以彩色显示屏、监视器



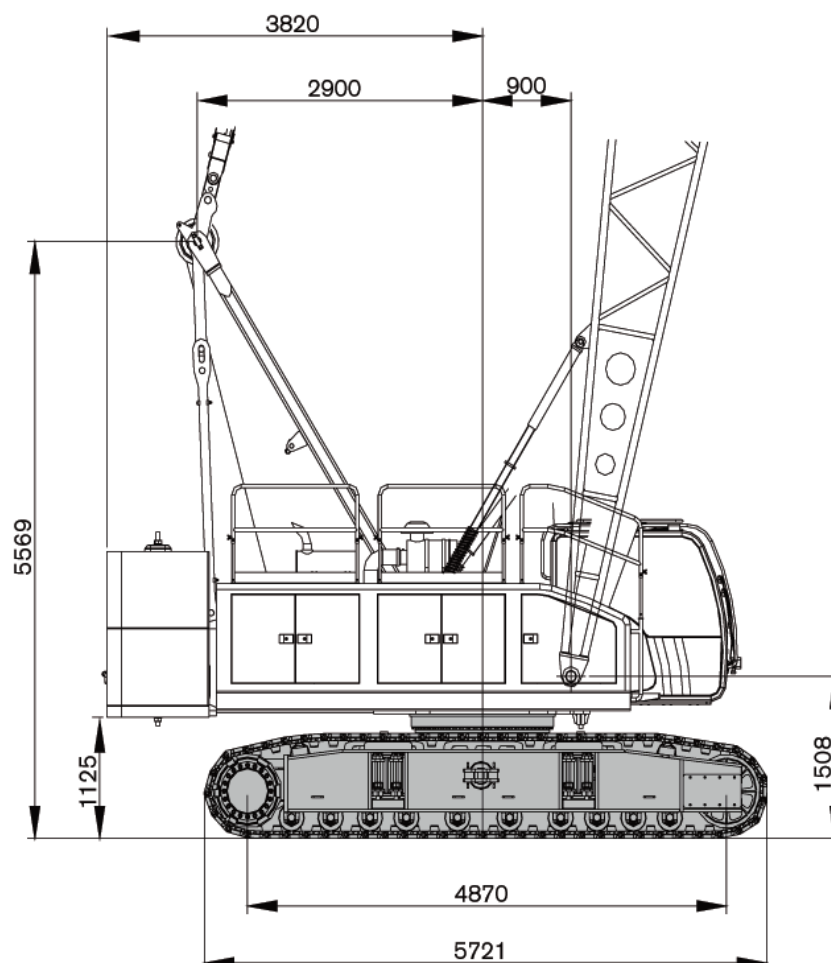
Working speeds · 工作速度

Mechanisms 机械部分	Rope \varnothing 钢绳 \varnothing	Speeds ¹⁾ 速度 ¹⁾	Single line pull ²⁾ 单绳拉力 ²⁾	Length of hoist rope 卷扬钢绳的长度
Hoist I (H1) 卷扬 I (H1)	20 mm	max. 124 m / min	63 kN / 58 kN	180 m
Hoist II (H2) 卷扬 II (H2)	20 mm	max. 95 m / min	63 kN / 59 kN	130 m
Boom derricking (W) 主臂变幅 (W)	22 mm	max. 73 m / min	51 kN / 45 kN	170 m
Slewing (rpm) 回转 (rpm)		2.3		

1) top layer · 顶层

2) without / with reeving effect considered · 不考虑 / 考虑穿绳效率

Basic crane dimensions · 起重机基本尺寸



SPECIFICATIONS · 技术参数

POWERLIFT 1000 拓力 1000

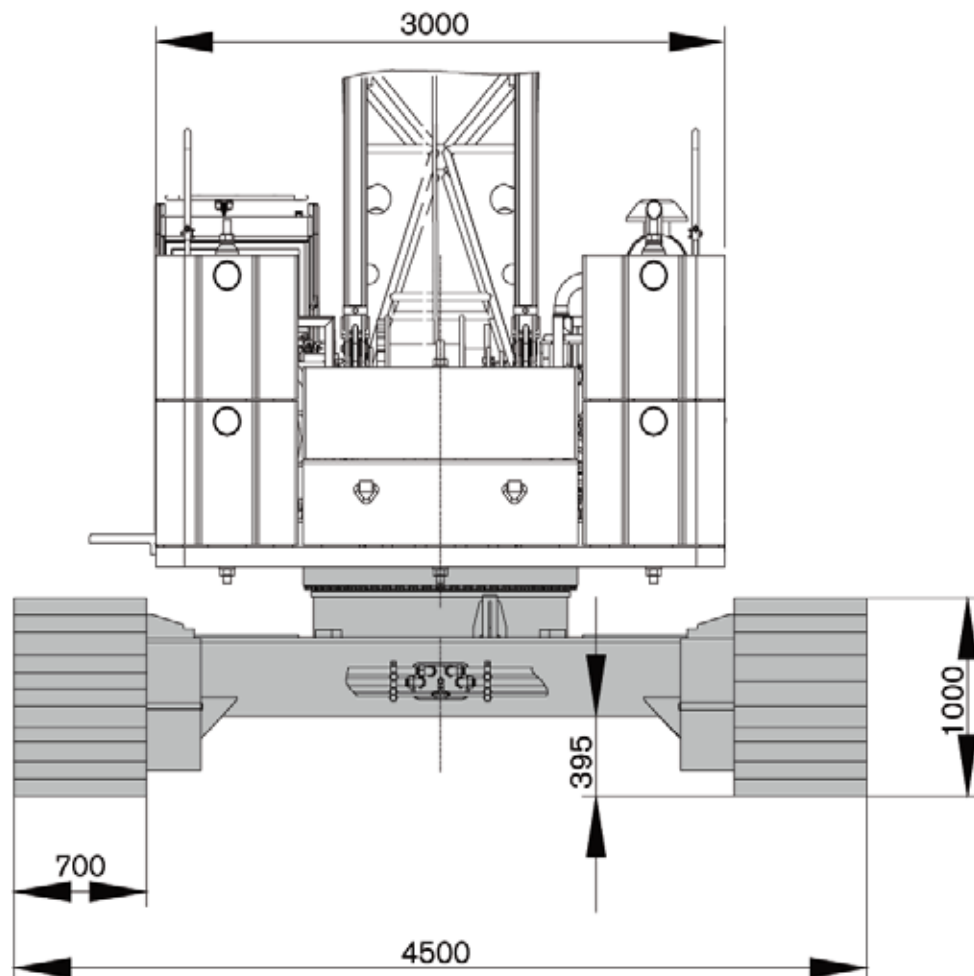
Carrier performance with standard drive · 带标准驱动的底盘性能

Travel speed on crawlers · 行走速度

0-1.5 km/h

Hook blocks · 吊钩

Type 类型	Possible load 可能的载荷	Number of sheaves 滑轮组数	Number of lines 绳数	Weight 重量	„D“
55	55 t	5	10	0.57 t	3.5 m
35	35 t	3	6	0.42t	3.0 m
15	15 t	1	2	0.30 t	2.5 m
5	5 t	-	1	0.17 t	1.5 m



MAIN BOOM CONFIGURATIONS · 主臂的配置

POWERLIFT 1000
拓力 1000

Weights · 重量

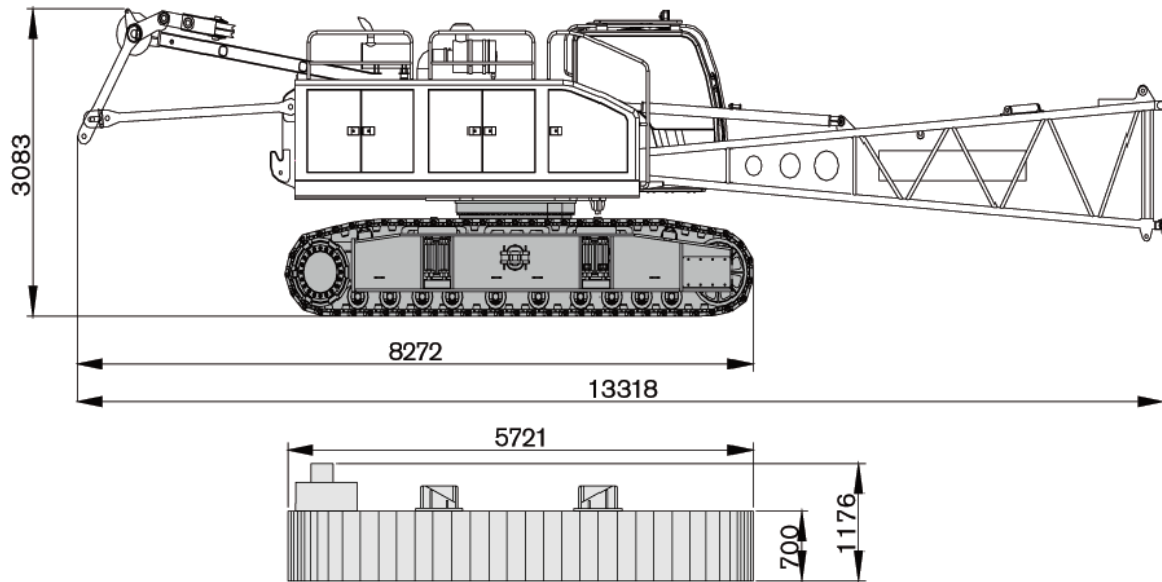
Total weight incl. counterweight 18 t, 13 m main boom and hook block 总重量包括18吨的配重, 13 m的主臂和吊钩	49 t
Superstructure (with three drums, A-frame, boom foot and boom backstops) 上车 (带有三个卷扬, A型架, 主臂根和主臂防后倾)	11.7 t
Car body 车体	5 t
Crawlers with standard drive 履带带有标准驱动器	12.4 t
Counterweight 配重	18 t

Ground pressure · 接地比压

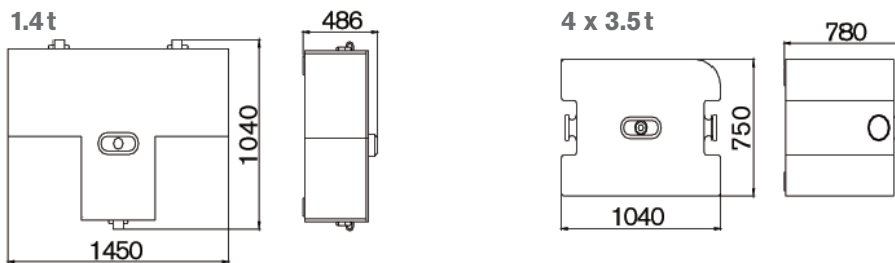
Ground pressure, based on 49 t total weight 基于 49 吨总重时的接地比压	7.1 N/cm ²
--	-----------------------

MAIN BOOM CONFIGURATIONS · 主臂的配置

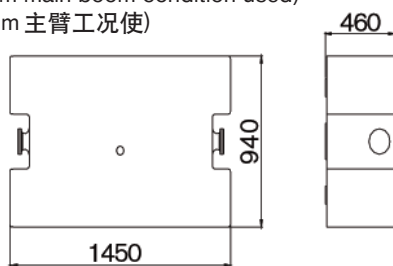
POWERLIFT 1000
拓力 1000



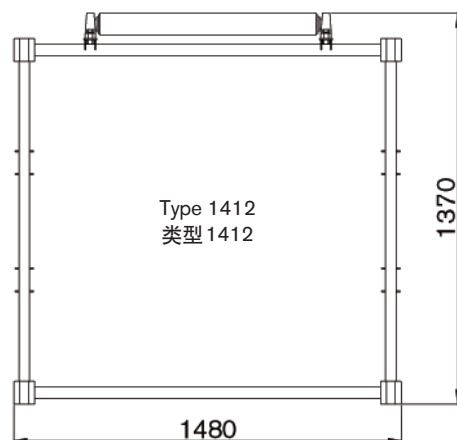
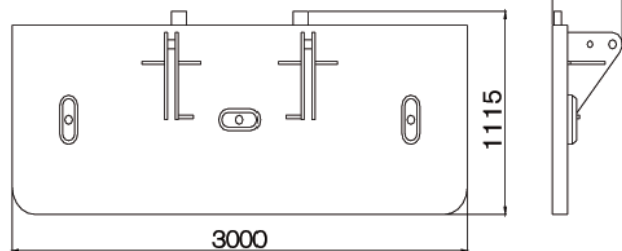
Counterweights on basic machine · 上车配重



4 t (52/55m main boom condition used)
(52/55 m 主臂工况使)

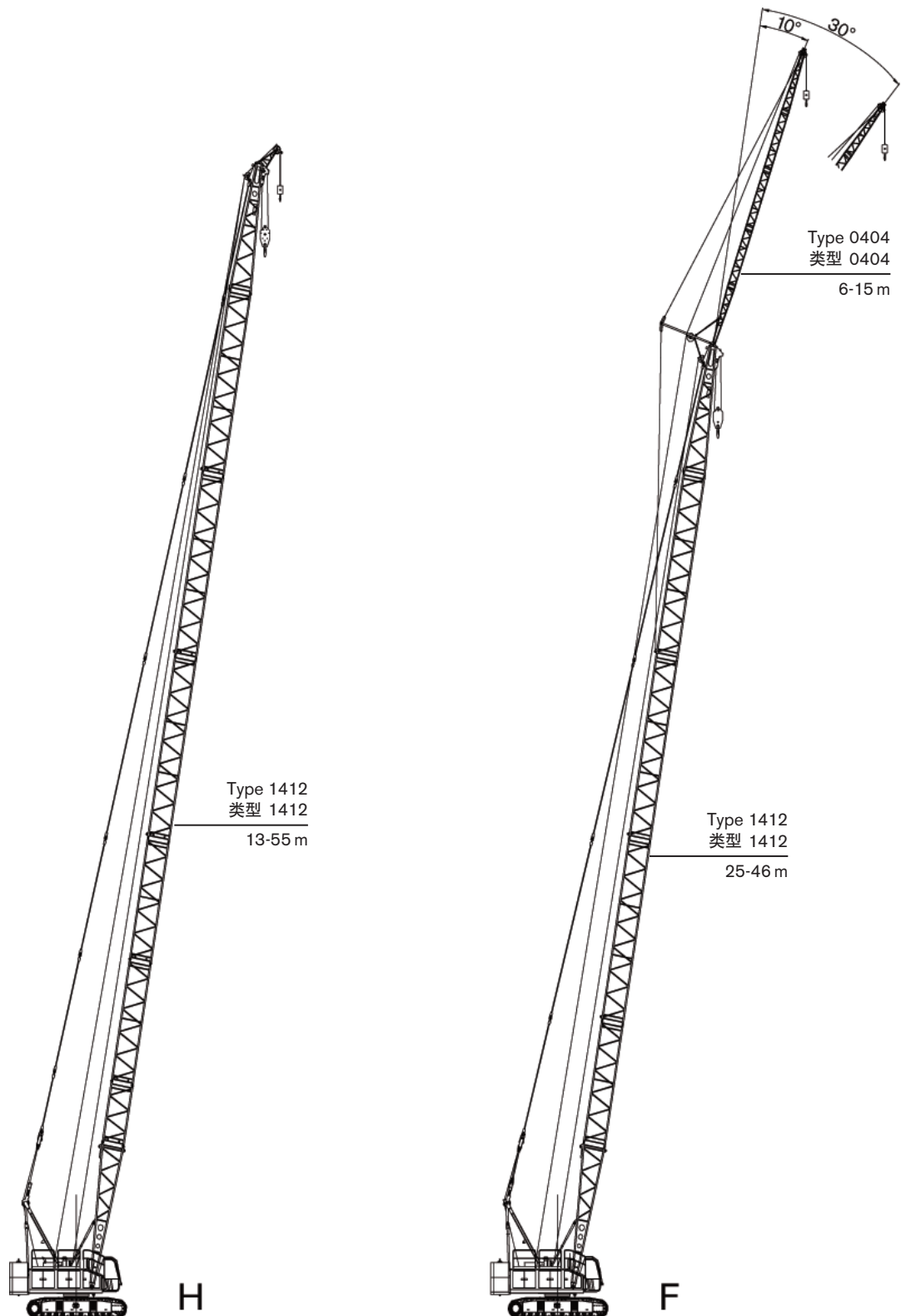


2.56t



BOOM COMBINATIONS · 臂杆组合

POWERLIFT 1000
拓力 1000

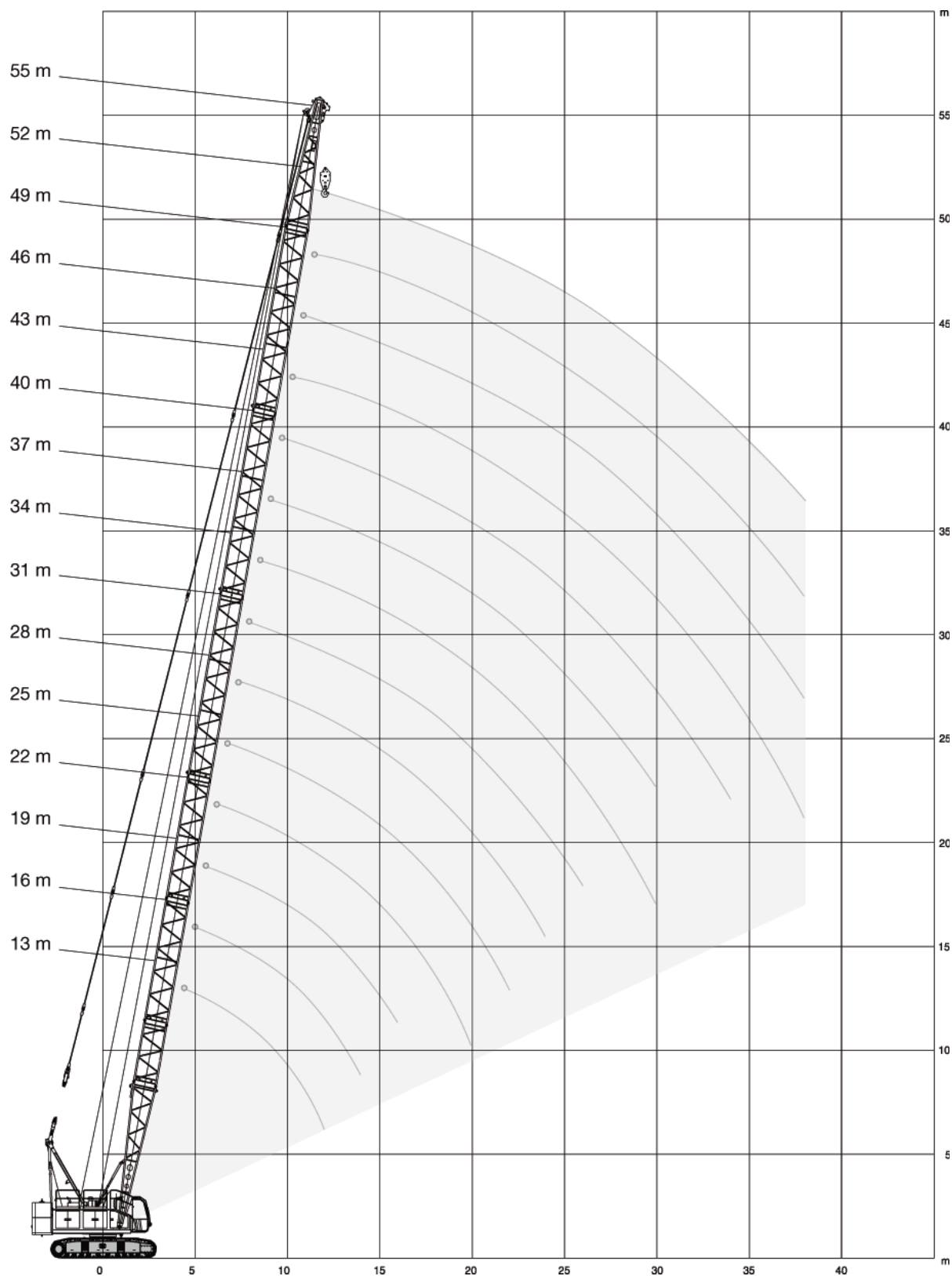


MAIN BOOM · 主臂

Working ranges · 工作范围

POWERLIFT 1000

拓力 1000



MAIN BOOM · 主臂

Lifting capacities · 起重能力

POWERLIFT 1000
拓力 1000

18 t		3.8 m		360°						GB / ISO	
13 m		16 m	19 m	22 m	25 m	28 m	31 m	34 m			
m	t	t	t	t	t	t	t	t	t	m	
3.7	55.0	-	-	-	-	-	-	-	-	3.7	
4.0	51.7	50.4	-	-	-	-	-	-	-	4.0	
4.5	43.6	43.0	40.9	-	-	-	-	-	-	4.5	
5.0	35.6	35.6	35.2	33.9	-	-	-	-	-	5.0	
5.5	31.1	31.1	30.9	29.7	28.8	-	-	-	-	5.5	
6.0	26.7	26.6	26.7	26.6	26.0	25.0	-	-	-	6.0	
6.5	23.9	23.9	23.9	23.8	23.5	22.9	21.9	-	-	6.5	
7.0	21.2	21.2	21.2	21.1	21.1	20.8	20.2	18.4	-	7.0	
8.0	17.6	17.5	17.5	17.5	17.5	17.3	17.0	16.0	-	8.0	
9.0	14.9	14.9	14.9	14.8	14.8	14.8	14.7	13.7	-	9.0	
10.0	12.9	12.8	12.8	12.8	12.7	12.7	12.6	12.1	-	10.0	
12.0	10.2	10.0	10.0	10.0	9.9	9.9	9.8	9.5	-	12.0	
14.0	-	8.2	8.1	8.1	8.0	8.0	7.9	7.8	-	14.0	
16.0	-	-	6.8	6.8	6.7	6.6	6.6	6.5	-	16.0	
18.0	-	-	-	5.7	5.6	5.6	5.5	5.4	-	18.0	
20.0	-	-	-	5.0	4.9	4.8	4.8	4.7	-	20.0	
22.0	-	-	-	-	4.2	4.2	4.1	4.0	-	22.0	
24.0	-	-	-	-	-	3.7	3.6	3.5	-	24.0	
26.0	-	-	-	-	-	-	3.2	3.1	-	26.0	
28.0	-	-	-	-	-	-	-	2.6	-	28.0	
30.0	-	-	-	-	-	-	-	2.3	-	30.0	

37 m		40 m	43 m	46 m	49 m	52 m	52 m*	55 m*			
m	t	t	t	t	t	t	t	t	t	m	
7.5	16.4	-	-	-	-	-	-	-	-	7.5	
8.0	15.5	-	-	-	-	-	-	-	-	8.0	
8.5	14.4	14.1	-	-	-	-	-	-	-	8.5	
9.0	13.4	13.1	12.5	-	-	-	-	-	-	9.0	
9.5	12.6	12.2	11.7	11.7	-	-	-	-	-	9.5	
10.0	11.8	11.4	11.0	10.7	10.3	-	-	-	-	10.0	
10.5	11.1	10.8	10.4	10.1	9.7	10.0	10.5	-	-	10.5	
12.0	9.3	9.1	8.6	8.4	8.1	8.3	9.0	8.6	-	12.0	
14.0	7.6	7.4	7.0	6.8	6.5	6.7	7.4	7.0	-	14.0	
16.0	6.4	6.2	5.9	5.6	5.3	5.5	6.1	5.9	-	16.0	
18.0	5.4	5.2	4.9	4.8	4.5	4.7	5.1	4.9	-	18.0	
20.0	4.6	4.5	4.2	4.0	3.7	3.9	4.4	4.1	-	20.0	
22.0	3.9	3.8	3.6	3.4	3.2	3.3	3.7	3.5	-	22.0	
24.0	3.4	3.4	3.1	3.0	2.7	2.7	3.2	3.0	-	24.0	
26.0	3.0	2.8	2.7	2.5	2.3	2.4	2.7	2.5	-	26.0	
28.0	2.6	2.5	2.3	2.2	2.0	2.0	2.3	2.1	-	28.0	
30.0	2.3	2.2	2.0	1.9	1.7	1.7	2.0	1.8	-	30.0	
34.0	-	1.7	1.6	1.5	1.1	1.2	1.5	1.2	-	34.0	
38.0	-	-	1.1	1.0	0.8	0.8	1.0	0.8	-	38.0	

* In case of 52-55 m main boom configuration, 4 t additional counterweights needed

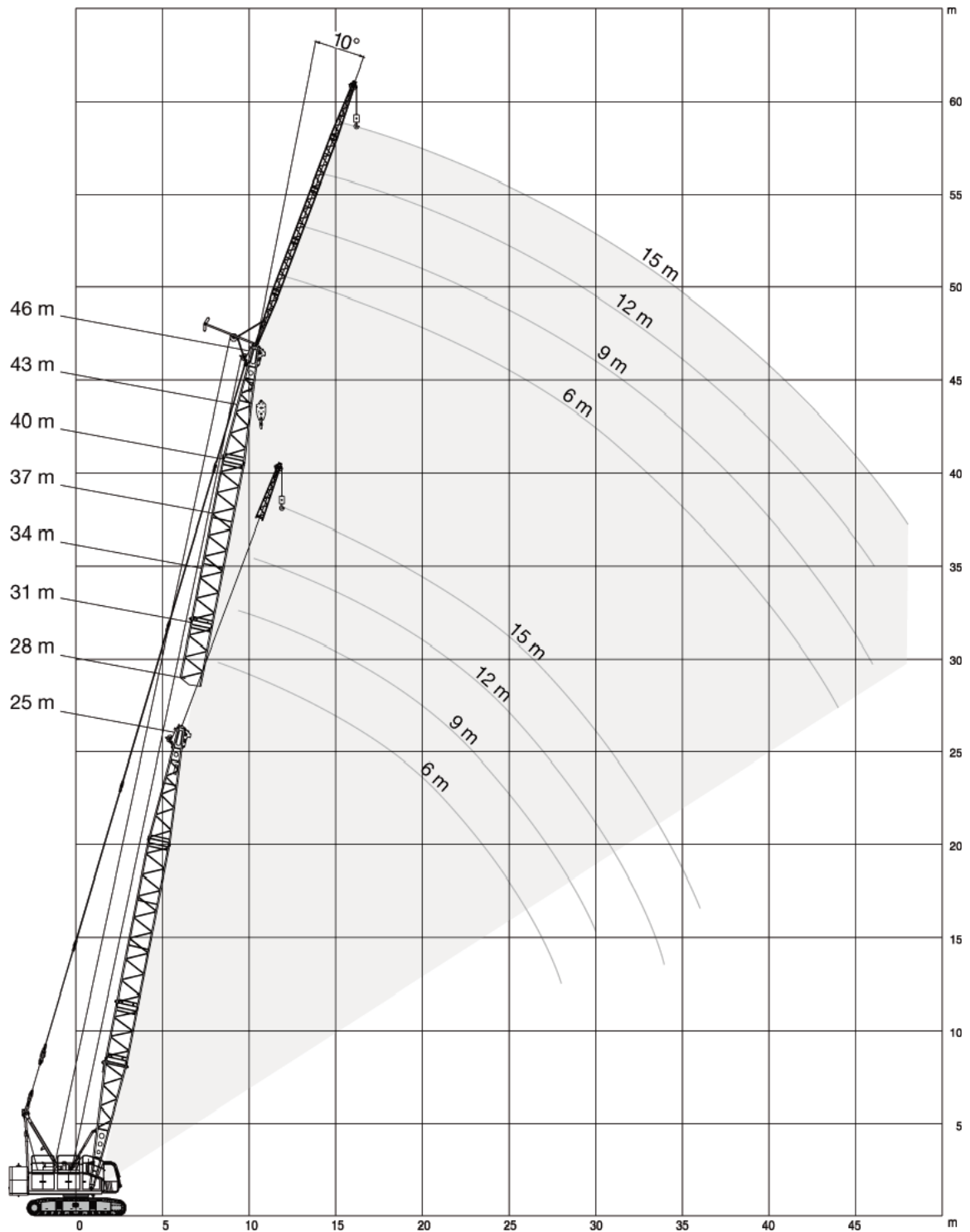
主臂工况为52-55m时，需采用4t 附加配重

FIXED JIB · 固定副臂

Working ranges · 工作范围

POWERLIFT 1000

拓力 1000



FIXED JIB · 固定副臂

Lifting capacities · 起重能力

POWERLIFT 1000

拓力 1000

18 t		6 m		3.8 m		360°		GB / ISO									
m	25 m		28 m		31 m		34 m		37 m		40 m		43 m		46 m		m
	10°	30°	10°	30°	10°	30°	10°	30°	10°	30°	10°	30°	10°	30°	10°	30°	
8.0	5.0	-	5.0	-	5.0	-	5.0	-	-	-	-	-	-	-	-	-	8.0
10.0	5.0	5.0	5.0	5.0	5.0	-	5.0	-	5.0	-	5.0	-	5.0	-	5.0	-	10.0
12.0	5.0	5.0	5.0	5.0	5.0	5.0	5.0	5.0	5.0	5.0	5.0	5.0	5.0	5.0	-	5.0	12.0
14.0	5.0	5.0	5.0	5.0	5.0	5.0	5.0	5.0	5.0	5.0	5.0	5.0	5.0	5.0	5.0	5.0	14.0
16.0	5.0	5.0	5.0	5.0	5.0	5.0	5.0	5.0	5.0	5.0	5.0	5.0	5.0	5.0	5.0	5.0	16.0
18.0	5.0	5.0	5.0	5.0	5.0	5.0	5.0	5.0	5.0	5.0	5.0	4.8	5.0	4.6	4.8	4.3	18.0
20.0	4.9	5.0	4.9	4.9	4.8	4.9	4.5	4.6	4.3	4.5	4.1	4.3	3.8	4.0	3.7	3.8	20.0
22.0	4.3	4.3	4.1	4.3	4.1	4.3	4.0	4.0	3.7	3.8	3.5	3.7	3.4	3.5	3.2	3.4	22.0
24.0	3.7	3.8	3.7	3.7	3.7	3.7	3.4	3.5	3.2	3.4	3.0	3.2	2.9	3.0	2.7	2.9	24.0
26.0	3.4	3.4	3.2	3.2	3.2	3.2	3.0	3.0	2.9	2.9	2.7	2.7	2.4	2.6	2.3	2.4	26.0
28.0	2.9	2.9	2.9	2.9	2.7	2.9	2.6	2.7	2.6	2.6	2.4	2.4	2.1	2.3	2.0	2.1	28.0
30.0	-	-	2.6	2.6	2.4	2.4	2.3	2.4	2.3	2.3	2.1	2.1	1.8	2.0	1.6	1.8	30.0
32.0	-	-	-	-	-	2.1	2.0	2.1	2.0	2.0	1.8	1.8	1.6	1.6	1.5	1.5	32.0
34.0	-	-	-	-	-	2.0	1.8	1.8	1.6	1.8	1.6	1.6	1.3	1.5	1.2	1.3	34.0
36.0	-	-	-	-	-	-	-	-	1.5	1.5	1.3	1.3	1.2	1.2	1.0	1.0	36.0
38.0	-	-	-	-	-	-	-	-	1.3	1.3	1.2	1.2	1.0	1.0	0.9	0.9	38.0

18 t		9 m		3.8 m		360°		GB / ISO									
m	25 m		28 m		31 m		34 m		37 m		40 m		43 m		46 m		m
	10°	30°	10°	30°	10°	30°	10°	30°	10°	30°	10°	30°	10°	30°	10°	30°	
8.0	5.0	-	5.0	-	-	-	-	-	-	-	-	-	-	-	-	-	8.0
10.0	5.0	-	5.0	-	5.0	-	5.0	-	-	-	5.0	-	-	-	-	-	10.0
12.0	5.0	5.0	5.0	5.0	5.0	-	5.0	-	5.0	-	5.0	-	5.0	-	5.0	-	12.0
14.0	5.0	5.0	5.0	5.0	5.0	5.0	5.0	5.0	5.0	5.0	5.0	5.0	5.0	-	5.0	-	14.0
16.0	5.0	5.0	5.0	5.0	5.0	5.0	5.0	5.0	5.0	5.0	5.0	5.0	5.0	5.0	5.0	5.0	16.0
18.0	5.0	5.0	5.0	5.0	5.0	5.0	5.0	5.0	5.0	5.0	4.9	5.0	4.6	4.9	4.5	4.8	18.0
20.0	5.0	5.0	4.9	5.0	4.8	4.9	4.6	4.8	4.3	4.6	4.1	4.5	4.0	4.1	3.7	4.0	20.0
22.0	4.3	4.5	4.3	4.5	4.1	4.3	4.0	4.1	3.8	4.0	3.7	3.8	3.4	3.7	3.2	3.4	22.0
24.0	3.8	4.0	3.8	3.8	3.7	3.8	3.5	3.7	3.4	3.5	3.2	3.4	2.9	3.0	2.7	2.9	24.0
26.0	3.4	3.5	3.4	3.4	3.2	3.4	3.0	3.2	2.9	3.0	2.7	2.9	2.6	2.7	2.3	2.6	26.0
28.0	3.0	3.0	2.9	3.0	2.9	2.9	2.7	2.9	2.6	2.7	2.4	2.6	2.1	2.3	2.0	2.1	28.0
30.0	2.7	2.7	2.6	2.7	2.6	2.6	2.4	2.4	2.3	2.4	2.1	2.3	2.0	2.0	1.8	2.0	30.0
32.0	-	-	2.3	2.4	2.3	2.3	2.1	2.1	2.0	2.1	1.8	2.0	1.6	1.8	1.5	1.6	32.0
34.0	-	-	2.1	2.1	2.0	2.0	1.8	2.0	1.8	1.8	1.6	1.6	1.3	1.5	1.2	1.3	34.0
36.0	-	-	-	-	1.8	-	1.6	1.6	1.5	1.6	1.3	1.5	1.2	1.3	1.0	1.2	36.0
38.0	-	-	-	-	-	-	1.5	1.5	1.3	1.3	1.2	1.3	1.0	1.0	0.9	1.0	38.0
40.0	-	-	-	-	-	-	-	-	-	1.2	1.0	1.2	-	-	-	-	40.0
42.0	-	-	-	-	-	-	-	-	-	1.0	0.9	1.0	-	-	-	-	42.0

FIXED JIB · 固定副臂

Lifting capacities · 起重能力

POWERLIFT 1000
拓力 1000

18 t		12 m		3.8 m		360°		GB / ISO									
m	25 m		28 m		31 m		34 m		37 m		40 m		43 m		46 m		m
	10°	30°	10°	30°	10°	30°	10°	30°	10°	30°	10°	30°	10°	30°	10°	30°	
10.0	t	t	t	t	t	t	t	t	t	t	t	t	t	t	t	t	t
12.0	5.0	5.0	5.0	-	-	5.0	-	5.0	-	5.0	-	5.0	-	5.0	-	5.0	-
14.0	5.0	5.0	5.0	5.0	5.0	5.0	-	5.0	-	5.0	-	5.0	-	5.0	-	5.0	-
16.0	5.0	4.9	5.0	4.9	5.0	4.9	5.0	4.9	5.0	4.9	5.0	4.9	5.0	-	5.0	-	16.0
18.0	5.0	4.9	5.0	4.9	5.0	4.8	5.0	4.8	5.0	4.8	4.9	4.9	4.6	4.9	4.5	4.8	18.0
20.0	5.0	4.8	4.9	4.8	4.8	4.8	4.6	4.8	4.3	4.8	4.1	4.5	4.0	4.3	3.7	4.1	20.0
22.0	4.5	4.6	4.3	4.6	4.1	4.5	4.0	4.3	3.8	4.1	3.7	4.0	3.4	3.7	3.2	3.5	22.0
24.0	3.8	4.0	3.8	4.0	3.7	4.0	3.5	3.7	3.4	3.5	3.2	3.4	2.9	3.2	2.7	3.0	24.0
26.0	3.5	3.5	3.4	3.5	3.4	3.5	3.0	3.4	2.9	3.2	2.7	3.0	2.6	2.7	2.4	2.6	26.0
28.0	3.0	3.2	3.0	3.0	2.9	3.0	2.7	2.9	2.6	2.7	2.4	2.6	2.3	2.4	2.1	2.3	28.0
30.0	2.7	2.9	2.7	2.7	2.6	2.7	2.4	2.6	2.3	2.4	2.1	2.3	2.0	2.1	1.8	2.0	30.0
32.0	2.4	2.6	2.4	2.4	2.3	2.4	2.1	2.3	2.0	2.1	1.8	2.0	1.6	1.8	1.5	1.6	32.0
34.0	2.3	2.3	2.1	2.1	2.1	2.1	2.0	2.0	1.8	2.0	1.6	1.8	1.5	1.6	1.3	1.5	34.0
36.0	-	-	-	-	1.8	2.0	1.6	1.8	1.6	1.6	1.5	1.5	1.2	1.3	1.0	1.2	36.0
38.0	-	-	-	-	1.6	1.6	1.5	1.5	1.3	1.5	1.2	1.3	1.0	1.2	0.9	1.0	38.0
40.0	-	-	-	-	-	-	1.3	1.3	1.2	1.3	1.0	1.2	-	1.0	-	-	40.0
42.0	-	-	-	-	-	-	1.2	1.2	1.0	1.2	0.9	1.0	-	0.9	-	-	42.0

18 t		15 m		3.8 m		360°		GB / ISO									
m	25 m		28 m		31 m		34 m		37 m		40 m		43 m		46 m		m
	10°	30°	10°	30°	10°	30°	10°	30°	10°	30°	10°	30°	10°	30°	10°	30°	
12.0	t	t	t	t	t	t	t	t	t	t	t	t	t	t	t	t	12.0
14.0	4.1	-	4.1	-	4.2	-	4.3	-	-	-	4.3	-	-	-	-	-	14.0
16.0	4.0	3.7	4.1	-	4.1	-	4.1	-	4.3	-	4.3	-	4.3	-	-	-	16.0
18.0	4.0	3.6	4.0	3.6	4.0	3.5	4.1	-	4.1	3.6	4.1	-	4.2	-	4.2	-	18.0
20.0	3.8	3.5	3.8	3.5	4.0	3.5	4.0	3.5	4.1	3.5	4.1	3.5	4.1	-	4.1	-	20.0
22.0	3.8	3.5	3.8	3.5	3.8	3.4	3.8	3.4	4.0	3.5	4.0	3.5	4.0	3.5	3.8	3.5	22.0
24.0	3.7	3.4	3.7	3.4	3.8	3.4	3.8	3.4	3.8	3.5	3.7	3.5	3.4	3.5	3.2	3.5	24.0
26.0	3.6	3.4	3.7	3.4	3.7	3.4	3.5	3.4	3.4	3.4	3.2	3.5	2.9	3.4	2.7	3.2	26.0
28.0	3.5	3.4	3.4	3.4	3.4	3.4	3.0	3.4	2.9	3.2	2.7	3.0	2.6	2.9	2.4	2.7	28.0
30.0	3.0	3.2	3.0	3.2	2.9	3.2	2.7	3.0	2.6	2.9	2.4	2.7	2.3	2.6	2.1	2.4	30.0
32.0	2.7	2.9	2.7	2.9	2.6	2.7	2.4	2.6	2.3	2.6	2.1	2.4	2.0	2.3	1.8	2.1	32.0
34.0	2.6	2.6	2.4	2.6	2.4	2.4	2.1	2.4	2.1	2.3	2.0	2.1	1.6	2.0	1.5	1.8	34.0
36.0	2.3	2.3	2.1	2.3	2.1	2.3	2.0	2.1	1.8	2.0	1.6	1.8	1.5	1.6	1.3	1.5	36.0
38.0	2.0	-	2.0	2.0	1.8	2.0	1.8	1.8	1.6	1.8	1.5	1.6	1.3	1.5	1.2	1.3	38.0
40.0	2.0	-	1.8	1.8	1.6	1.8	1.5	1.6	1.5	1.5	1.3	1.5	1.0	1.2	0.9	1.2	40.0
42.0	-	-	-	-	1.5	1.5	1.3	1.5	1.2	1.3	1.2	1.2	-	1.0	-	-	42.0
44.0	-	-	-	-	1.3	1.3	1.2	1.3	1.0	1.2	1.0	1.0	-	0.9	-	-	44.0
46.0	-	-	-	-	-	-	-	-	1.0	1.0	-	-	-	-	-	-	46.0

NOTES TO LIFTING CAPACITY · 起重能力注释

POWERLIFT 1000
拓力 1000

Ratings are in compliance with ISO 4305 and GB3811 (test load = 1.25 × suspended load).

Weight of hook blocks and slings is part of the load, and is to be deducted from the capacity ratings.

Consult operation manual for further details.

Note: Data published herein is intended as a guide only and shall not be construed to warrant applicability for lifting purposes. Crane operation is subject to the computer charts and operation manual both supplied with the crane.

额定起重能力符合 ISO 4305 和 GB3811 (测试载荷 = 1.25 × 悬挂载荷)。

吊钩和吊具的重量是载荷的一部分，应从额定起重能力中扣除。

具体细节请参阅操作手册。

备注：在此所印数据仅供参考，不完全适用实际吊装操作。

实际起重机操作应根据与起重车辆同时提供的起重荷载表及操作手册进行。

NOTES · 说明

The information contained in this brochure / product catalogue merely consists of general descriptions and a broad compilation of performance features which might not apply precisely as described under specific application conditions or which may change as a result of further product development.

The desired performance features only become binding once expressly agreed in the final contract.

Subject to change with out notice!

本手册/产品目录包含的资料只是一般性的说明和性能特点的广泛描述，可能与特定的使用条件不能准确匹配；

今后产品的开发也可能会对此进行一些修改。

一旦在最终合同中明确达成一致，所需的性能特点将具有约束力。

如有修改，恕不通知！

Crawler Carrier

	3-section carrier comprising of carbody and two crawlers. Hydraulic cylinder connects one crawler and other crawler that to minimize width for transportation. Track width: 3.8 m.
Carbody	Bending- and torsion-resistant welded structure of box type construction, which fabricated of fine-grain structural steel.
Crawler side frames	Bending-resistant welded structure fabricated from fine-grain structural steel. Crawler pads: 0.7 m wide.
Crawlers	10 rollers on each side frame with hardened rolling surfaces. Raised position for both drive sprockets and idler wheels, drive sprockets and idler wheels provide load bearing capacity for erection, adjustable track tension.
Power train	The tracks are powered by two hydraulic motors each through closed planetary gear reduction units running in oil bath, equipped with spring-applied hydraulically released holding brakes; the gear units are of very compact design to fit within the width of the crawlers. Each crawler is independent and in opposite direction.

Superstructure

Counterweight	18 t, additional counterweight 4 t.
Frame	Torsion-resistant welded structure fabricated of fine-grain structural steel.
Slew ring	Single row four-point-contact slewing ring, inner gear pairs meshing.
Drive	WEICHAI DEUTZ WP6.210, 155 kW (210 hp) at 2300 rpm, torque 800 Nm at 1200-1800 rpm. The engine complies with GB 3 regulation. Silencer with spark-arrestor. Cylinders: 6 Cooling: water-cooled Fuel tank: 540 l
Rope drums	The standard superstructure equipment includes three rope drums – hoist 1, hoist 2 and boom hoist. The drums are powered by hydraulic motors through planetary gear reducer, internal-mounted normal-closed wet disc brake. All rope drums have spring-applied, hydraulically released multi-disk brakes and non-wearing hydraulic braking for load lowering. Rope ends H 1, 2, 3 and W 1, 2 equipped with quick-connect rope and fittings.
Hoists 1	Drum diameter: 440 mm Rope diameter: 20 mm Rope length: 180 m Perm. line pull: 58 kN Line speed: max. 124 m/min
Hoists 2	Drum diameter: 440 m Rope diameter: 20 mm Rope length: 130 m Perm. line pull: 59 kN Line speed: max. 95 m/min
Boom hoist	Drum diameter: 440 mm Rope diameter: 20 mm Rope length: 170 m Perm. line pull: 51 kN Line speed: max. 73 m/min
Slew unit	Pinion of slewing reducer internally engaged with slewing bearing, and the pinion is driven with slewing motor by planetary gear reducer, normal-closed disc brake with buffer braking oil circuit shall enable more stable slewing brake. The designed slewing inertia valve may function accurate slewing, which may realize the function of alignment load's center of gravity. Slew speed infinitely variable 0-2.3 rpm.
Control system	Equipped with imported controller and colour LCD for easily control and monitoring. Information about engine parameter, hydraulic system info, load moment and fault code can be showed on the monitor. CAN BUS communication system transfer the data from LMI to the monitor. Automatic power control for optimal utilisation of engine output, emergency control systems. The crane is controlled by hydraulic joystick ergonomically positioned in the crane cab. Working speeds infinitely variable controlled by the lever position.
Cabin	Comfortable cab with large widescreen and air conditioner. Tempered plate glass all around, roof window, self-contained hot air heater, full instrumentation and crane controls. With front light and rear view mirror which make wider vision.
Electrical equipment	24V DC system, (2 x batteries 12 V, 165 Ah).
Limit devices	Load Moment Limiter (load moment, radius, angles, safety and engine and hydraulic working supervision), hoist limit switch, limit switches for boom movements, spring boom backstop, position light, anemometer, electric gradienter.

Boom Combinations

	Tubular chord lattice structure fabricated from fine grain structural steel with four section fork and pin connections.
Boom combination „H“ and „F“	Dimensions type 1412: 1480 x 1370 mm Dimensions type 0404: 450 x 459 mm
Boom Configuration H:	Main boom: foot section 7 m Main boom: head section 6 m Insert section: 3 m, 6 m and 9 m Main boom length: 13-55 m
Boom Configuration F:	Main boom: same as H Main boom length: 25-46 m Fixed jib length: 6 m, 9 m, 12 m, 15 m Fixed jib offset: 10°, 30°
Operator aids	Electronic load moment indicator, hoist limit switch, limit switches for boom movements, spring boom back-stops, anemometer.
Runner	Max. lifting capacity 5 t with one sheave. Mounted on boom head. Operation by hoist rope 2 (see Hoists 2).

Hook Blocks

55 t (H)	Hook block, 5 sheaves, max. 10 lines, weight 0.57 t.
35 t (H)	Hook block, 3 sheaves, max. 6 lines, weight 0.42 t.
15 t (H)	Hook block, single sheave, max. 2 lines, weight 0.3 t.
5 t (H, F)	Single-line hook, weight approx. 0.17 t.

Options

Adaptation to special climate	a) temperatures permanently over 40 °C b) low temperature design below -20 °C
--------------------------------------	--

Special Options

to be separately enquired.

National Regulations

The crane is designed for erection work and meets GB3811 standards.
Different national regulations may require technical and price modifications, and may affect delivery time.

底盘

底盘	底盘由三部分组成，车体和两个履带。车体和履带间由液压油缸连接，以减少运输宽度。履带宽度为3.8m。
车身	箱型结构抗弯，抗扭，由细晶粒结构钢焊接制造。
履带架	抗弯结构，由细晶粒结构钢焊接制造。履带板宽度：0.7m。
履带	在每边有10个经表面硬化处理过的支重轮。驱动轮和从动轮可以为臂杆扳起提供足够的承载力，履带可进行涨紧调节。
传动系	两侧的履带通过液压油路由马达通过行星减速机带动驱动轮来驱动。 内设弹簧释放式液压制动器，非常紧凑的减速机单元设计以适应履带的宽度。

上车

配重	18t配重, 附加配重4t。
机台	由抗扭细晶粒结构钢焊接制成。
驱动	潍柴道依茨直列六缸式发动机，型号WP6.210，功率155 kW (210 hp)，转速2300 r/min。 扭矩在1200-1800 r/min 转速时为800Nm。发动机符合国3标准。带有火花式消音器。 汽缸： 6个 冷却： 水冷 油箱： 540L
钢丝绳卷扬	上车设备包括三个钢丝绳卷扬：起升 1，起升 2 和起重臂的起升。该卷扬由液压马达通过行星减速机驱动，内藏湿式常闭盘式制动器。所有卷扬有液压式弹簧释放多层摩擦片式制动器，负载下降时无磨损。绳末端H 1, 2, 3和W 1, 2配有快速连接绳和配件。
起升1	卷筒直径 440mm 钢丝绳直径 20mm 钢丝绳长度：180m 单绳拉力：58kN 单绳速度：最大速度124m/min
起升2	卷筒直径 440mm 钢丝绳直径 20mm 钢丝绳长度：130m 单绳拉力：59kN 单绳速度：最大速度95m/min
主臂起升	卷筒直径 440mm 钢丝绳直径 20mm 钢丝绳长度：170m 单绳拉力：51kN 单绳速度：最大速度73m/min
回转装置	回转减速机小齿轮与回转轴承为内啮合，小齿轮有回转马达通过行星减速机驱动，常闭盘式制动器。具有缓冲制动油路，使回转制动更平稳。带有回转惯性阀，可精确回转，可实现自动正钩的功能。回转速度在0-2.3r/min可调节。
控制系统	采用进口控制器配以彩色液晶显示器控制，便于控制及监视。显示器显示发动机运行信息，液压系统信息，力矩信息以及异常时报警图标等。力矩限制器和显示器之间通过CAN总线进行通讯。 对发动机功率进行自动控制，使其处于最佳功率输出，提高发动机功率利用率。 通过先导手柄的行程变化控制工作速度。操作平稳方便，具有保安开关，可以避免碰撞引起的误操作。
驾驶室	驾驶室内配有舒适的大屏幕显示器和空调。周围是钢化玻璃，大面积玻璃窗，完整的说明和控制系统。前照灯和后视镜使视野更开阔。
电气设备	24V直流电气系统，2块12V/165Ah蓄电池。
限制装置	力矩限制器（负载力矩，半径，角度，发动机及液压系统监控，安全保护），起升限制开关，主臂角度的限制开关，主臂防后倾弹簧，示廓灯，风速仪，电动水平仪。

臂杆组合

桁架弦杆结构，由细晶钢结构焊接制造，带有四个臂杆接头的连接。

臂杆组合
“H”和“F”

1412尺寸类型： 1480*1370mm
0404尺寸类型： 450*459mm

臂杆组合H:

主臂： 根部7m
主臂： 头部6m
标准节： 3 m, 6m 和 9m
主臂长度： 13-55m

臂杆组合F:

主臂： 与H相同
主臂长度： 25-46m
固定副臂长度： 6m, 9m, 12m, 15m
固定副臂偏移： 10°, 30°

操作员辅助设备
鹰嘴

力矩限制器，独立彩色监视器，臂架角度及吊钩高度限制开关，风速计和水平仪。
最大起升能力5t，单滑轮。安装在主臂头部，通过卷扬2操作（参照卷扬2介绍）。

吊钩

55 t (H)

吊钩，配备5个滑轮，最大10倍率，重量0.57t。

35 t (H)

吊钩，配备3个滑轮，最大6倍率，重量0.42t。

15 t (H)

吊钩，配备1个滑轮，最大2倍率，重量0.3t。

15 t (H, F)

单倍率吊钩，重量大约0.17t。

可选项

特殊适应
气候

a) 工作环境长期超过40 °C
b) 温度低于-20 °C

订制选项

如有其它特殊需求，单独提出。

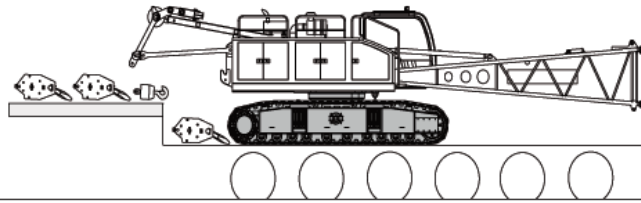
设计规范

起重机用于起升工作，完全符合GB3811规范。
如需符合其它国家的规范，可能需要额外的技术支持及价格变动，并有可能影响产品供货期。

TRANSPORT EXAMPLE · 运输实例

POWERLIFT 1000
拓力 1000

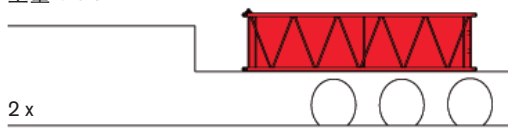
Load approx. 31.5 t
重量约为 31.5 t



1 x

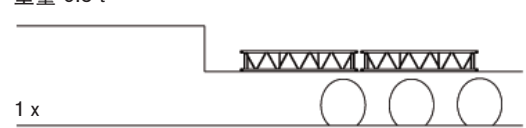
- Counterweight · 配重
- Basic machine · 主机
- Boom combination · 臂杆
- Boom combination · 臂杆
- Low loader · 低架拖车

Load 0.5 t
重量 0.5 t



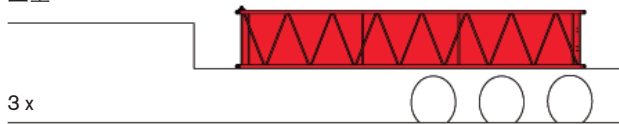
2 x

Load 0.5 t
重量 0.5 t



1 x

Load 0.7 t
重量 0.7 t



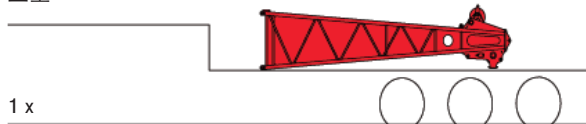
3 x

Load 22.3 t
重量 22.3 t



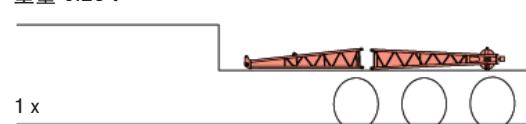
1 x

Load 1.0 t
重量 1.0 t



1 x

Load 0.25 t
重量 0.25 t



1 x

A large rectangular area with horizontal lines, intended for notes or instructions. The lines are evenly spaced and cover the majority of the page's width and height.

Effective Date: October 2012. Product specifications and prices are subject to change without notice or obligation. The photographs and/or drawings in this document are for illustrative purposes only. Refer to the appropriate Operator's Manual for instructions on the proper use of this equipment. Failure to follow the appropriate Operator's Manual when using our equipment or to otherwise act irresponsibly may result in serious injury or death. The only warranty applicable to our equipment is the standard written warranty applicable to the particular product and sale and Terex makes no other warranty, express or implied. Products and services listed may be trademarks, service marks or trade-names of Terex Corporation and/or its subsidiaries in the USA and other countries. All rights are reserved. Terex® is a registered trademark of Terex Corporation in the USA and many other countries. Copyright 2012 Terex Corporation.

生效日期：2012年10月。产品技术参数和价格如有更改，恕不另行通知。本文档中的图片和/或图纸仅作举例用途。有关正确使用本设备的说明，请参阅合适的操作手册。如果在使用本设备时，未按照操作手册正确操作，可导致严重的人身伤害或死亡。适用于我们设备的唯一保证是适用于特别产品和销售的标准书写保证，特雷克斯不做任何其他保证、表示或暗示。以上所列产品和服务为特雷克斯公司和/或其子公司在美国和其他国家/地区的商标、服务标记或厂商名称。保留所有版权。Terex®为特雷克斯公司在美国和许多其他国家的注册商标。©2012，特雷克斯公司版权所有。

Terex (China) Investment Co., Ltd

8th Floor, Tower B, GATEWAY, No 18 Xiaguangli, North Road, East 3rd Ring, Chaoyang District, Beijing, 100027 China
Phone: +86 10 5907 9000, Fax: +86 10 8440 0628, Email: cranes@terex.com, Web: www.terexcranes.com

特雷克斯（中国）投资有限公司

中国，北京市朝阳区东三环北路霞光里18号佳程广场B座8层，邮编100027
电话：+86 10 5907 9000，传真：+86 10 8440 0628，邮箱：cranes@terex.com，网址：www.terexcranes.com

Terex Topower (Shandong) Heavy Machinery Manufacture Co., Ltd.

Topower Industrial Park, Ming Shui Economic Development Area, Zhangqiu City, Shandong Province
Phone: +86 531 8372 5000, 8372 5016

特雷克斯拓能（山东）重机制造有限公司

山东省章丘市明水经济开发区拓能工业园，电话：+86 531 8372 5000, 8372 5016



www.terexcranes.com

Brochure Reference: TC-DS-M-E/C-POWERLIFT 1000 - 10.12
手册参考：TC-DS-M-E/C-拓力1000 - 10.12



WORKS FOR YOU.™