



T 780-1
80 US^t (73 t) Lifting Capacity
Truck Crane
Sales Flyer
Imperial/Metric



T 780-1

Highlights

The T 780-1 truck crane offers proven performance and ease of use. Designed to set-up easily on the job site and travel down the highway at maximum allowable speeds, this crane makes an excellent addition to any taxi-crane fleet.

- ▶ 80 US^t (73 t) maximum capacity
- ▶ 126 ft (38.4 m) maximum boom length
- ▶ 133 ft (40.5 m) maximum tip height
- ▶ Engine configurations up to 500 hp (373 kW)
- ▶ Travel speeds up to 65 mph (105 km/h)

Applications

- ▶ Steel construction
- ▶ Pre-fabricated concrete construction
- ▶ Machine unloading and loading
- ▶ Plant maintenance
- ▶ Bridge and road maintenance

WORKS FOR YOU.™



Maximum lifting capacity
80 US t (73 t)

Main boom length
126 ft (38.4 m)

Maximum tip height with jib
189 ft (57.6 m)

Operational Ease

Climate controlled cab

Upper cab can be configured with heat and air conditioning to fit the needs of your work environment.

Precision control

Fully proportional electrohydraulic joysticks provide precise control of all hydraulic functions.

Hydraulic counterweight removal system

No need for auxiliary equipment to assist removal of the counterweight slabs.

Strength and Power

Proven boom design

Four-section, fully synchronized design.

High-performance hydraulics

Three-pump system provides a combined flow of 131 gal/min (495 l/min) and enables simultaneous hydraulic functioning.

Outriggers

The outrigger system is designed to provide stability and a small footprint.

Serviceability

Slew ring

External slew ring is easily greased via two accessible grease zerks within the cab.

Remote mounted filters

Filters are remote mounted for ease of access.

Hydraulic quick disconnects are standard

Provided for ease of installation of pressure check gauges.

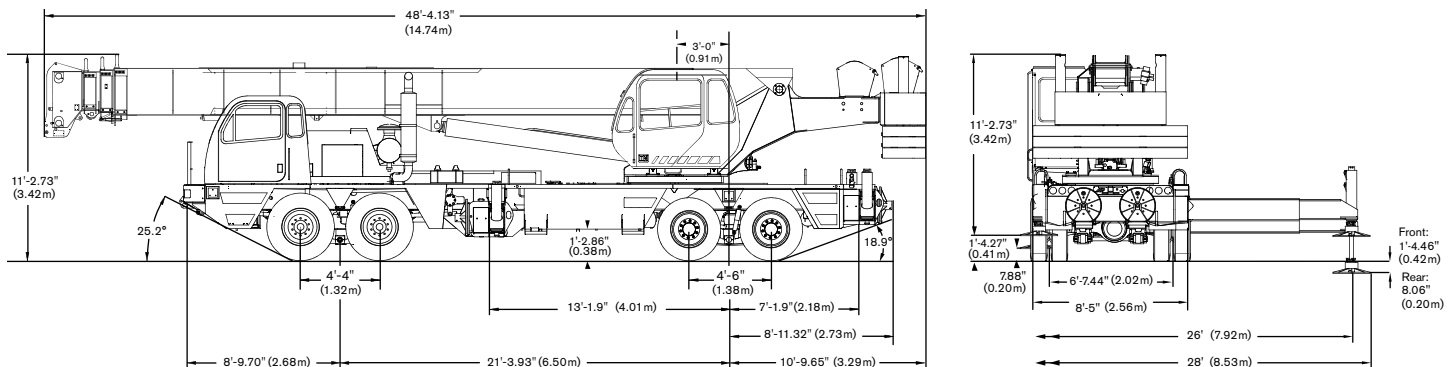
Key Specifications

	Rated engine power	455 hp (336 kW) @ 1,800 rpm
	Hoist speed	2-speed – 287/460 ft/min (87.5/140.2 m/min)
	Maximum line pull	18,450 lb (8,369 kg)

Optional Equipment

- Upper cab air conditioning
- Upper cab propane heat
- 12 US t (10.9 t) hook and ball
- Auxiliary boom head
- 32 ft (9.8 m) side stow lattice jib
- 33 – 57 ft (10.1 – 17.4 m) side stow lattice jib
- 80 US t (73 t) 5 sheave, quick reeving, hook block

Dimensions



Effective Date: September 2012. Product specifications and prices are subject to change without notice or obligation. The photographs and/or drawings in this document are for illustrative purposes only. Refer to the appropriate Operator's Manual for instructions on the proper use of this equipment. Failure to follow the appropriate Operator's Manual when using our equipment or to otherwise act irresponsibly may result in serious injury or death. The only warranty applicable to our equipment is the standard written warranty applicable to the particular product and sale and Terex makes no other warranty, express or implied. Products and services listed may be trademarks, service marks or trade-names of Terex Corporation and/or its subsidiaries in the USA and other countries. All rights are reserved. Terex is a registered trademark of Terex Corporation in the USA and many other countries. Copyright 2012 Terex Corporation.

Terex Cranes, Global Marketing, Dinglerstraße 24, 66482 Zweibrücken, Germany
Tel. +49 (0) 6332 830, Email: info.cranes@terex.com, www.terexcranes.com

www.terexcranes.com

TC-SF-E-I/M-T780-1-09/12